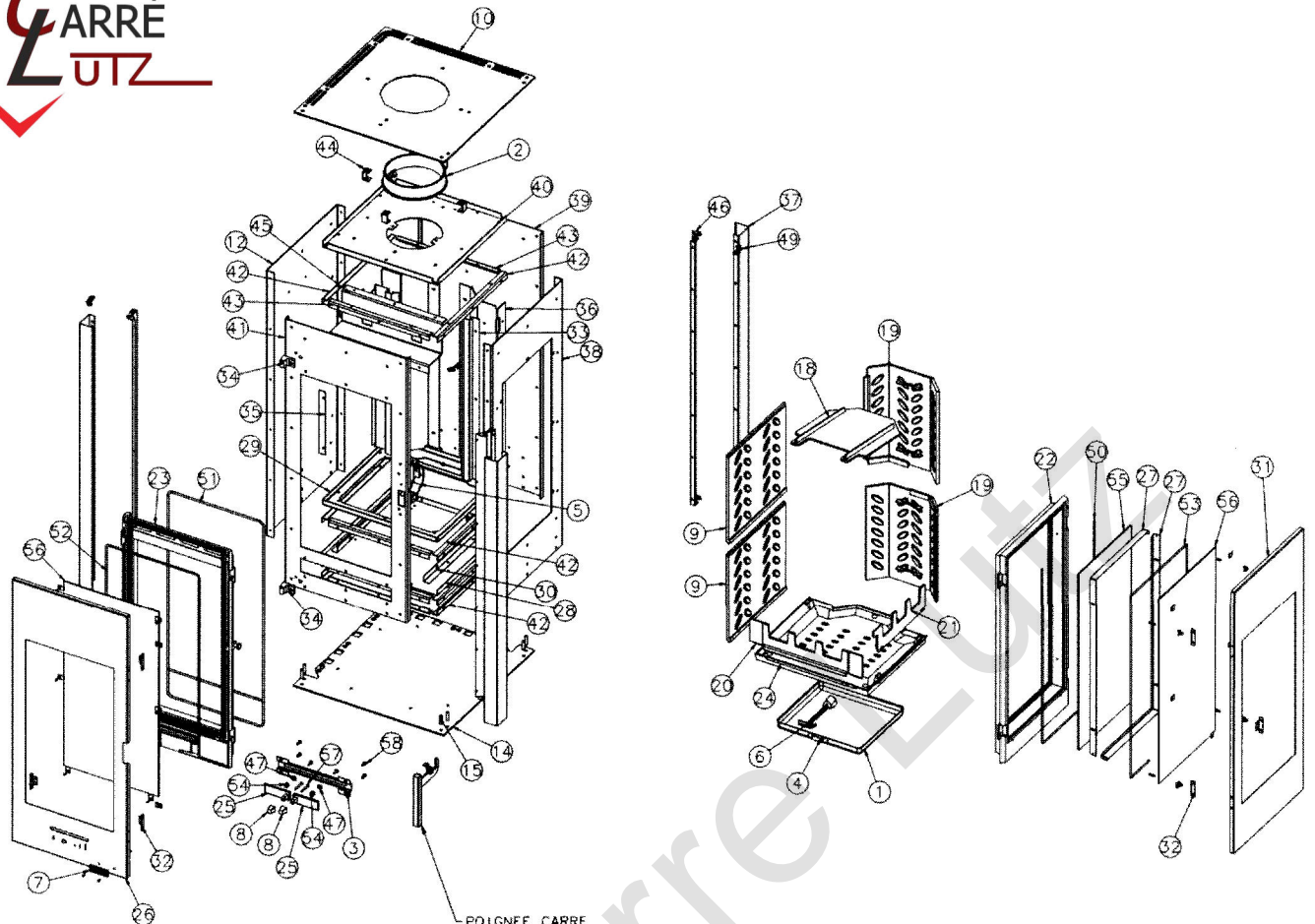




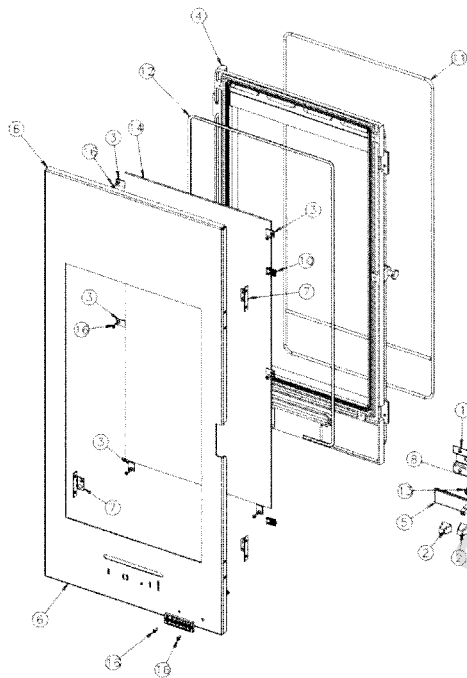
385102 Nordic d'angle



POIGNEE CARRE CHROMEE N° 1_2878_385101

58	6AA_vis_TRL_M5x16_pozie_ZN_noir	00001305477	29	0996067_T_fond_de_foyer	1_0111_996067
57	2AA_vis_TF_M5x40_pozie_ZN_noir	00001301191	28	0996067_T_fond	1_2205_996067
56	2AA_verre_refrac(301x719)ep4	00001307778	27	2996057_T_fix_vitre_rgd_feu_vis	1_2704_996057
55	1AA_verre_refrac(325x690)es	00001307818	26	0996057_T_appuieque_deporte	1_2871_996057
54	2AA_ressort_L361	00001301991	25	2996067_F_volet_reglage_oir	1_4157_996067
53	1AA_fic_céram_tres_verre_refract(th	1_8216_996057	24	0996057_F_support_foyer	1_0367_996057
52	1AA_fic_céram_tres_verre_refract(PYR	1_8516_996057	23	0996057_F_porte_chargement	2_2531_996057
51	1AA_fic_céram_tres_porte_chrgement_d	1_8804_996057	22	0996057_F_fixe_vitre_cote	1_2030_996057
50	1AA_fic_céram_tres_verre_refract(th	1_8216_996057	21	0996067_F_chenet_droit	1_0266_996067
49	2AA_ecrou_ropid_mnt_0955_M5(1mm5)	00001304496	20	0996057_F_chenet	1_0506_996057
48	2AA_ecrou_M10_eurosett_L(9419_2028)	00001307166	19	2996066_F_plaque_dr_foyer	1_0160_996066
47	2AA_cuvette_a_vis	00001307633	18	0996056_F_deflecteur	1_0151_996056
46	0996066_F_renfort_interieur_avant	1_0770_996066	17	2996007_T_patte_fixation_dessus	1_1160_996007
45	0996066_F_renfort_avant	1_0832_996066	16	0996010_T_fixe_vitre	1_2071_66010
44	0996066_F_equerre_de_dessus	1_1145_996066	15	0996007_AF_axe_dR_L32	1_4108_6007
43	0996066_F_equerre_de_cote	1_2365_996066	14	0385102_T_socle	1_5707_385102
42	0996066_F_equerre_avant	1_2257_996066	13	0385102_T_fixe_dossier	1_4334_385102
41	0996068_F_devant_foyer	1_0326_996068	12	0385102_T_cote_droit	1_2301_385102
40	0996068_F_dessus_foyer	1_1112_996068	11	0385102_T_colonne_gauche	1_2609_385102
39	0996066_T_derrriere_foyer	1_0130_996066	10	0385102_T_chapeau	1_1109_385102
38	0996066_T_cote	1_2317_996066	9	2085102_F_plaque_foyer_gauche	1_0163_385102
37	0996066_T_colonne_avant	1_2602_996066	8	2085101_F_index	1_8548_385101
36	0996066_T_colonne	1_5705_996066	7	0385101_F_ecusson	1_8501_385101
35	0996066_T_butee	1_0439_996066	6	037204_F_cle_a_crochet	1_4101_3770
34	2996066_F_chape_porte_foyer	1_2867_996066	5	0369101_F_carter_droit	1_2778_369101
33	0996057_T_patte_g_fix_facade_inf	1_2162_996057	4	03262_T_nalitie_tircir_cendre	1_3370_3260
32	0996057_T_patte_fixation_facade	1_2015_996057	3	03257_T_guide_securite	1_4175_3257
31	0996057_T_panneau_décor_cote	1_1352_996057	2	03168_F_buse	2_4212_3168
30	0996057_T_joint_fond	1_2255_996057	1	03157_T_boc_cendrex	1_3304_3157
Item	Part #	Item	Part #	Item	Part #

385101 - 385102 PORTE



18	6AA vis_TRL_M5x16_pozie_ZN_noir	00001305477	ACIER
17	2AA vis_TF_M5x40_pozie_ZN_noir	00001301191	ACIER
16	8AA vis_TF_M4x10_pozie	00001301181	1 - ACIER
15	1AA vis_epaulee_acier_ZN_noir	00001307191	ACIER
14	1AA verre_refrac(351x719)ep4	00001307778	VERRE
13	2AA ressort_961	00001301991	ACIER
12	1AA fic_ceram_tres_verre_refract(PYR)	8816_996057	
11	1AA fic_ceram_tres_porte_chrgment_dil	8804_996057	
10	4AA ecrou_rapid_nut_0955_M5(1mm)	00001304496	ACIER
9	2AA ecrou_6_pans_4_ZN_noir	00001300263	ACIER
8	2AA cuvette_a_vis	00001307833	LAITON
7	4996057 T_patte_fixation_focade	1_2019_996057	TOLE_15/10_TC
6	1996057 T_applique_de_porte	1_2871_996057	TOLE_20/10_TC
5	2996057 F_volet_reglage_air	1_4137_996057	FONTE
4	1996057 F_porte_chargement	2_2831_996057	FONTE
3	6660101 T_fixe_vitre	12071_6660101	TOLE_15/10_INOX
2	2385101 F_index	1_8548_385101	FONTE
1	13257 T_guide_securite	2_4175_3257	TOLE_15/10_TC
ItemQtyName	Part #	Material	